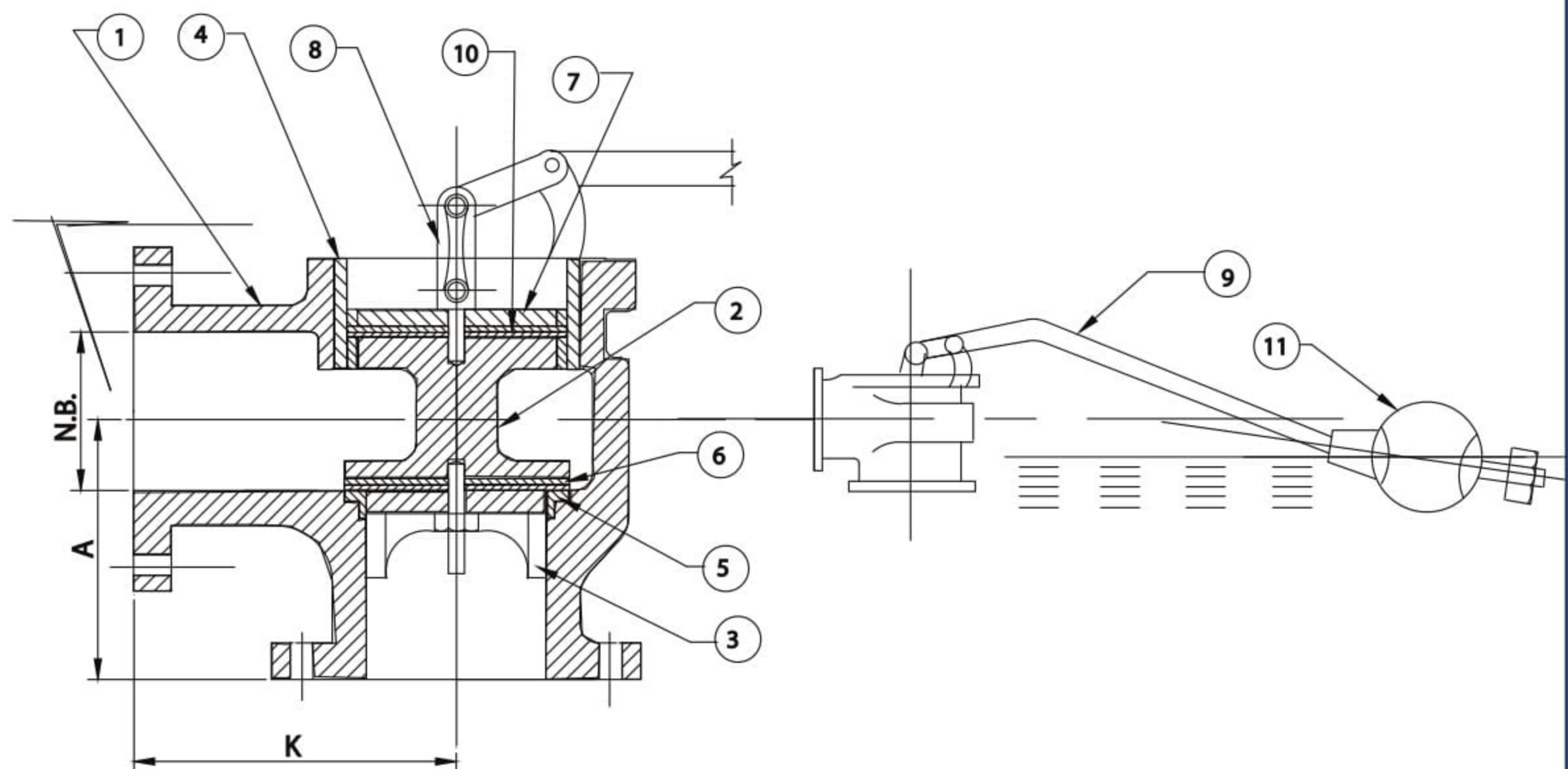


Technical Specifications - CAST IRON FLOAT VALVES

Type of Valve	Equilibrium Ball Float Valve, Right Angle Type
Materials of Construction:	
a. Body & Piston	Cast Iron to IS 210 Gr. Fg 200/260
b. Body Seat, & Guide Sleeve	Bronze or Stainless Steel
c. Winged Guide	Leaded Tin Bronze to IS 318 Ltb 2 for size upto 80 mm and of Cast Iron to IS 210 Gr. Fg 200 for size 100mm & above
d. Valve Face	Natural Rubber
e. Bucket	Leather or Neoprene Rubber
f. Ball Float	Copper or Stainless Steel
g. Valve Plate, Links & Lever	MS to IS 2062
h. Set Screws	Carbon Steel To Is 1367 Cl 4.6/4.0
Design	Generally conforming to Glenfield & Kennedy catalogue H-45
Testing Standard	Generally conforming to Glenfield & Kennedy catalogue H-45/H-48
Dimension	
• Center to Face	Generally conforming to Glenfield & Kennedy catalogue H-45/ H-48
• Flange Dimension & Drilling	As per customer requirement
Testing	Body shall be tested to 15 kg/cm ² and seat test shall be performed for leak tightness at static pressure by application of adequate external upward force on the lever
Range	50 mm NB - 400 mm NB

Part Name:

1. Body
2. Piston
3. Winged Guide
4. Guide Sleeve
5. Body Seat,
6. Valve Face
7. Valve Plate
8. Links
9. Lever
10. Bucket
11. Ball Float



Nominal Size NB	50	65	80	100	125	150	200	250	300	350	400
Center to Face	102	108	114	140	159	184	216	254	298	349	400

- Note**
- Description given is generalized may vary as per requirement.
 - Specifications given above are subject to change as per revisions in standards without notice.
 - Quotations are based on customer's requirement and data. Customers are requested to send specific requirement for an offer.

H. Sarker & Company Valves (P) Ltd.

Works: Phone: +91 33 2653 1214 / 0061 • eMail: hsblt09@gmail.com
Regd. Office: Ajit Sen Bhawan, 13 Crooked Lane, 2nd Floor, Kolkatta 700 069.
 Phone: 033-22109163

